

# Conveyor Belt Misalignment (off-track) Switch LHPE-10/x-L50

**DUK**  
DITTELBACH UND KERZLER

**Westweigh**



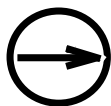
Off-track switches are used along belt conveyors to reduce the danger of damage or destruction of the belt by misalignment.


These misalignment switches are designed for heavy duty, reliable service in the most arduous conditions. Housings are available in grey cast iron (type LHM...) or highly stable, impact resistant, thick-walled, glass fibre-reinforced polyester (type LHP...) All components are made from the best material available. For example, the rollers, shafts and ball bearings are all made of stainless steel, ensuring the best guarantee of years of reliable service.

Both housings are IP67 protected (water- and dust proof).

The misalignment switches should be installed in pairs, to the left and right of the conveyor. If the conveyor belt should then misalign from the correct track, one of the switch roller levers will be touched by the edge of the belt and be displaced. Accidental operation is prevented by the resetting force of an internal spring. The "snap-action" contacts transfer when the lever is displaced 7cm from the neutral position. The maximum displacement angle of the roller lever is 75°. A two stage switch is also available, first stage for signalling/warning and the second stage for cut off. First stage signalling/warning contacts transfer when the lever is displaced by 4cm, cut off at 7cm. In the event that the belt re-aligns itself, the standard switch automatically resets. A further version of the switch provides latching when the main contacts are actuated. Space between the roller lever and the edge of the belt is easily altered by step less adjustment of the lever on the switch shaft. This ensures that installation is quick and easy.

Secure opening of every NC-contact is guaranteed by the direct opening system (positive drive of every contact). For minimising contact resistance, all contacts perform a self cleaning actuation at every operation. The standard contacts are made of silver and gold plated contacts are also available. For best contact safety at low currents the gold contacts are recommended.

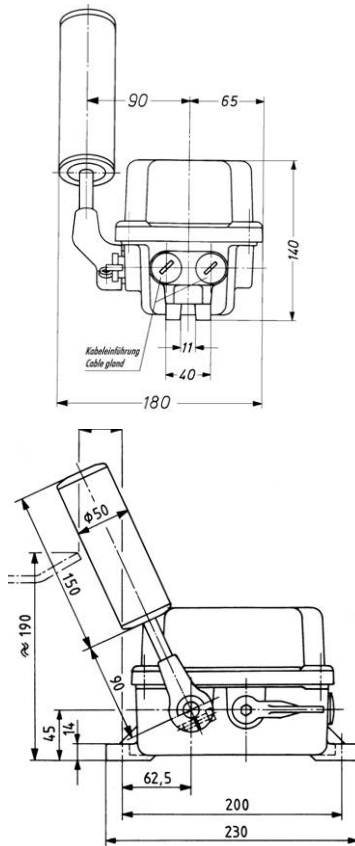


- Up to 4 contacts NC + 4 NO
- Snap-action, direct opening
- 2 cable entries M25
- Impact resistant glass fibre reinforced polyester housing, optional cast iron
- Step less adjustment of space between roller and belt
- IP 67
-  protected version



Stepless adjustable space between roller and edge of the belt

# Conveyor belt misalignment switch LHPE-10/x-L50



## Technical Data

Conforms to standard EN60947, EN 60529, EN 60204

“off-track” travel for

**main contacts** 7cm

**warning contacts** 4cm

**Max. displacement** 75°

**Roller lever** stainless steel, step less adjustment, double stainless steel ball bearings, 50mm diameter for low rotation speed and long lifetime

**Contacts** NC contact snap action, direct opening  
NO contact snap action  
all self-cleaning

**Rating** Silver contacts: 400 VAC 6 A / 230 VAC 8 A / 24 VDC 10 A / 80 VDC 3 A

**Minimum current** Gold contacts: 1mA @ 6VDC

**Utilization Category** Silver contacts AC-15 230V 1A, DC-13 110V 0,5A  
Gold contacts AC-12 230V 250mA, DC-12 110V 250mA

**Cable inlet** 2 x M25 threaded holes

**Protection** IP 67

**Housing material** glass fibre reinforced (LHPE-10/x-L50),  
cast iron (LHME-10/x-L50)

**Housing colour** yellow RAL 1003 or red RAL 3000

**Weight** LHPE-10/x-L50 2.9kg/LHME-10/x-L50 6.2kg

**Fixing** 2 holes for M10-screws

**Operating temp.** - 40°C up to +85°C

## Selection table

Switch type	Main contacts (25°)		Warning (15°)		Latching Contact	material
	NC	NO	NC	NO		
<b>Polyesterhousing</b>						
LHPE-10/1-L50	1	1				silver
LHPEw-10/1-L50	1	1			X	silver
LHPE-10/2-L50V	1	1	1	1		silver
LHPEw-10/2-L50V	1	1	1	1	X	silver
LHP-10/2-L50	2	2				silver
LHPw-10/2-L50	2	2			X	silver
LHP-10/3-L50V	2	2	1	1		silver
LHPw-10/3-L50V	2	2	1	1	X	silver
LHP-10/3-L50	3	3				silver
LHPw-10/3-L50	3	3			X	silver
LHP-10/4-L50V	3	3	1	1		silver
LHPw-10/4-L50	3	3	1	1	X	silver
LHP-10/4-L50	4	4				silver
LHPw-10/4-L50	4	4			X	silver
LHPE-13/1-L50	1	1				gold
LHPEw-13/1-L50	1	1			X	gold
LHPE-13/2-L50V	1	1	1	1		gold
LHPEw-13/2-L50V	1	1	1	1	X	gold
LHP-13/2-L50	2	2				gold
LHPw-13/2-L50	2	2			X	gold
LHP-13/3-L50V	2	2	1	1		gold
LHPw-13/3-L50V	2	2	1	1	X	gold
LHP-13/3-L50	3	3				gold
LHPw-13/3-L50	3	3			X	gold
LHP-13/4-L50V	3	3	1	1		gold
LHPw-13/4-L50	3	3	1	1	X	gold
LHP-13/4-L50	4	4				gold
LHPw-13/4-L50	4	4			X	gold

Grey cast iron housing

All switches available in grey cast housing, use prefix LHM.... instead of LHP.... E.g.

LHME-10/2-L50V

